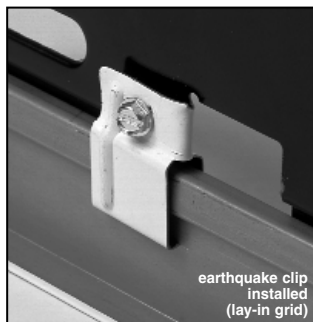
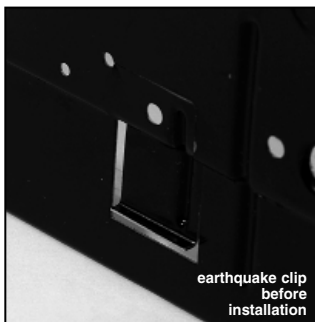
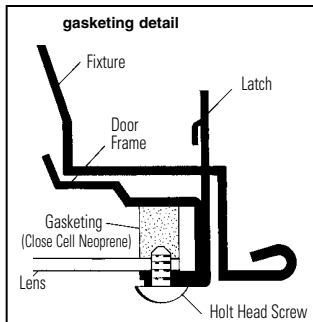
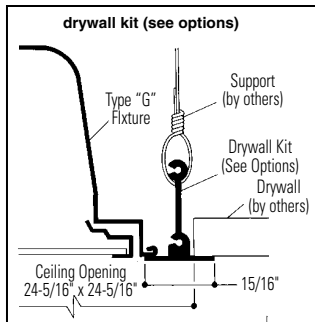
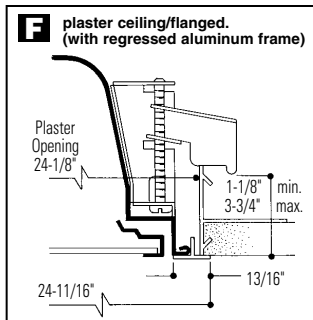
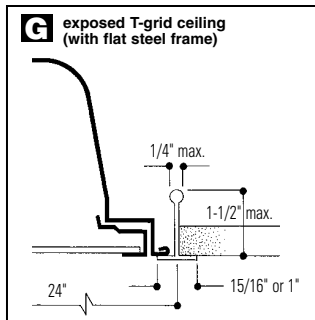


## Features

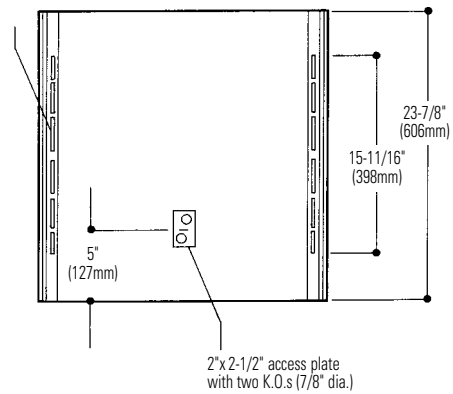
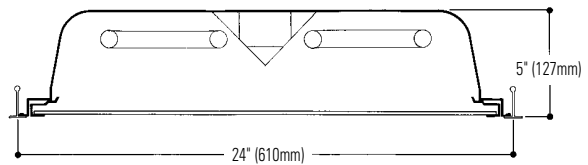
- Excellent for locations where vandal resistance is required.
- Prismatic lens is 3/16" thick pattern 12, minimum impact strength, 130 foot pounds.
- Full perimeter gasketing (closed cell Neoprene) between door frame and lens.
- Tamper resistant holt head screws secure lens to housing.
- 5" deep body.
- 69.3% efficient (T8).
- Hemmed over side rails for maximum safety.
- Fixture ends turned-in for safe handling.
- Built-in earthquake clips.
- Spring loaded rooster head latches.
- 18 gauge steel hinges.



## MOUNTING METHODS



## DIMENSIONS



## Job Information

## Type:

**Job Name:**

**Cat. No.:**

**Lamp(s):**

**Volts/Ballast:**

Lightolier a Genlyte Thomas Company

www.lightolier.com

Technical Information: (978) 657-7600 • Fax (978) 658-0595

631 Airport Road, Fall River, MA 02720 • (508) 679-8131 • Fax (508) 674-4710

We reserve the right to change details of design, materials and finish.

© 2002 Genlyte Thomas Group LLC (Lightolier Division)

A0902

Section 6A/Folio P20-51

# LIGHTOLIER®

